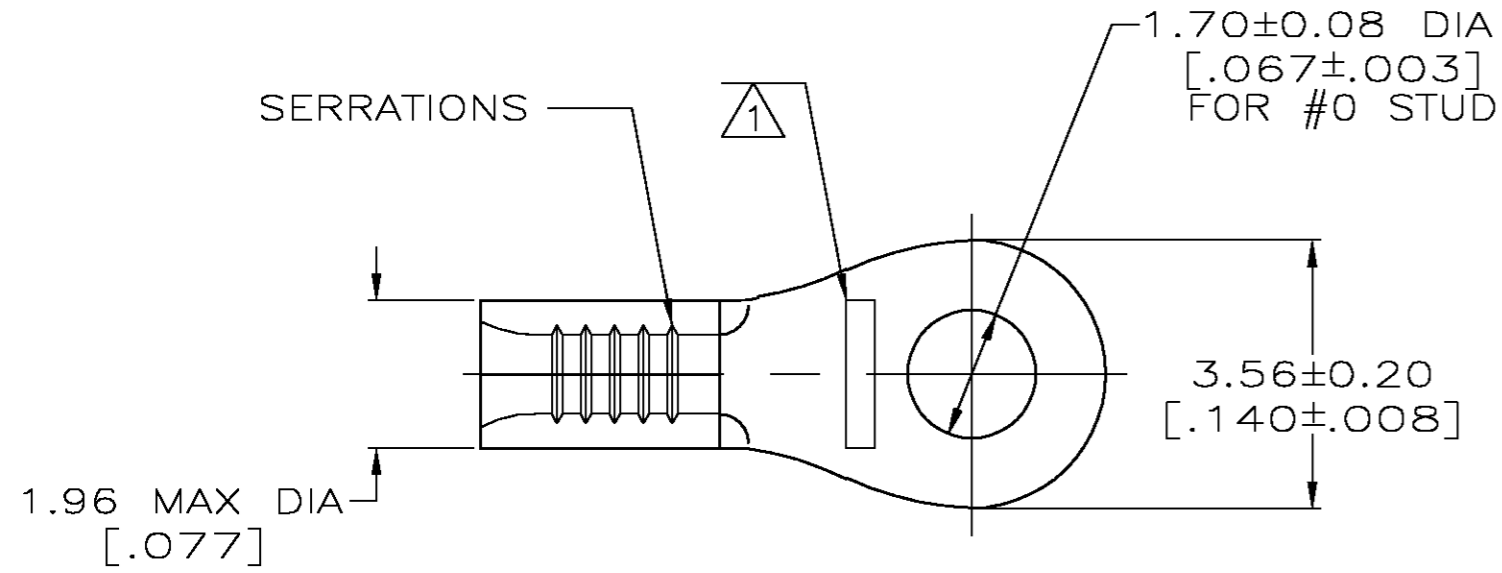


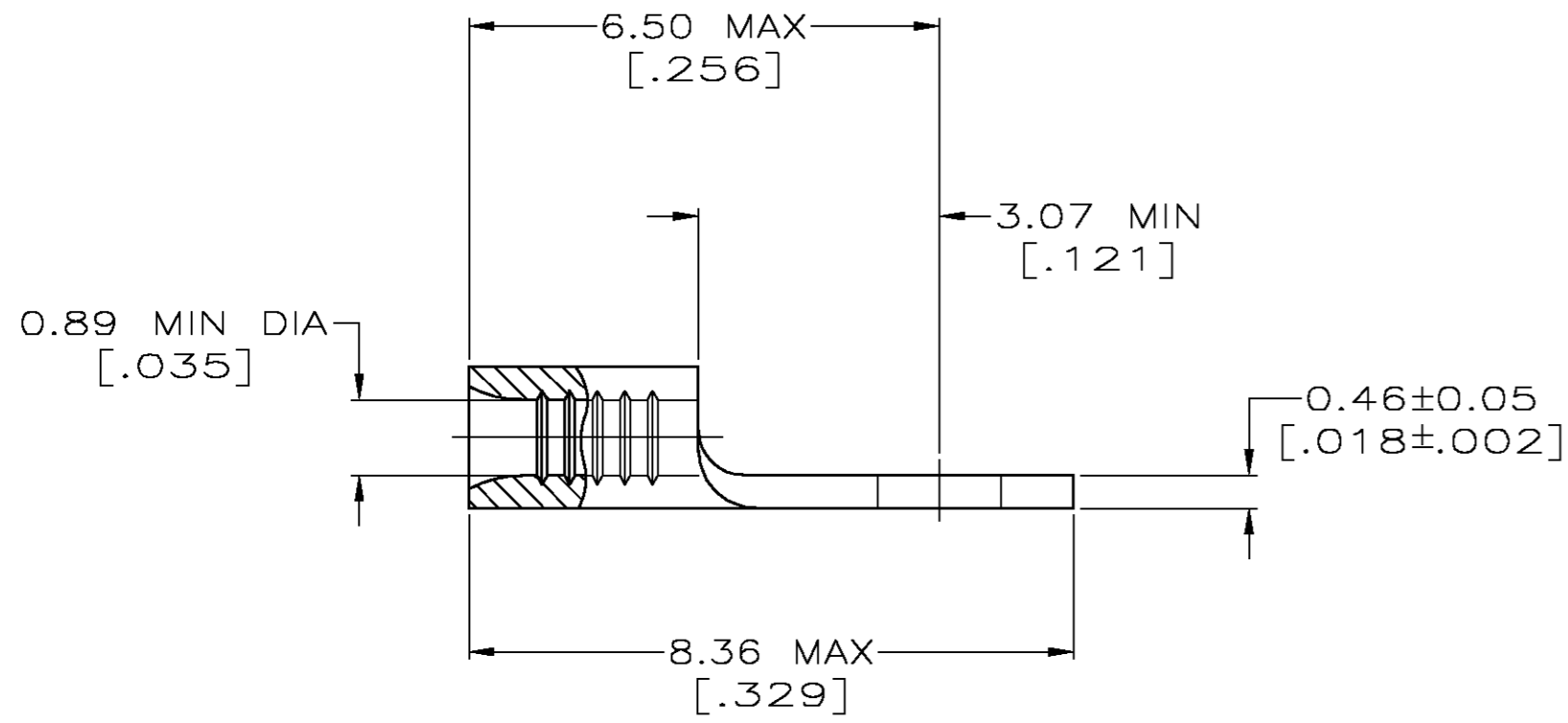
THIS DRAWING IS UNPUBLISHED. RELEASED FOR PUBLICATION
 © COPYRIGHT BY TYCO ELECTRONICS CORPORATION. ALL RIGHTS RESERVED.

LOC	DIST	REVISIONS			DAP		
		P	LTR	DESCRIPTION	DATE	DWN	APVD
G	14	B		REV PER 0G3A-0426-03	11JUL03	JR	MS



- △1 STAMP AMP APPROX AS SHOWN
- △2 COPPER PER ASTM B-152, ANNEALED.
- △3 0.00254 [.000100] MIN TIN PLATE PER ASTM B-545
- △4 PRELIMINARY - NOT FOR PRODUCTION

AMP WIRE RANGE	Listed FILE E13288	LR7189 Certified
26-22 AWG STRANDED	NOT LISTED	NOT CERTIFIED



5000	TAPE, REEL	△4 2-31423-2
-	LOOSE PIECE	31423
QTY	PACKAGE TYPE	PART NO

AMP INCORPORATED CUSTOMER SERVICE SYSTEMS		MAX RECOMMENDED OPERATING TEMPERATURE: 170°C MAX	THIS DRAWING IS A CONTROLLED DOCUMENT.		DWN TA BRINKMAN 2-2-93	Tyco Electronics Corporation Harrisburg, PA 17105
FOR ADDITIONAL PRODUCT INFORMATION OR COPIES OF DRAWINGS AND TECHNICAL DOCUMENTS	PRODUCT INFORMATION CENTER 1-800-522-6752	VOLTAGE RATING: N/A	DIMENSIONS: INCHES	TOLERANCES UNLESS OTHERWISE SPECIFIED: 0 PLC ± - 1 PLC ± - 2 PLC ± - 3 PLC ± - 4 PLC ± - ANGLES ± -	CHK DA PATTERSON 2-2-93	
FOR APPLICATION TOOLING INFORMATION	TOOLING ASSISTANCE CENTER 1-800-722-1111	CIRCULAR MIL AREA: 0.1-0.41mm ² [202-810] STRANDED		MATERIAL COPPER △2	APVD DE MILLER 2-2-93	SIZE A2
FOR ORDER ENTRY	1-800-526-5142	THIS DRAWING IS A CONTROLLED DOCUMENT FOR AMP INCORPORATED. IT IS SUBJECT TO CHANGE AND THE CONTROLLING ENGINEERING ORGANIZATION SHOULD BE CONTACTED FOR THE LATEST REVISION.	FINISH TIN PLATE △3		PRODUCT SPEC APPLICATION SPEC	CAGE CODE 00779
			CUSTOMER DRAWING		WEIGHT -	DRAWING NO C=31423
					SCALE 10:1	RESTRICTED TO -
					SHEET 1 OF 1	REV B

31423